



PARTS CATALOG

Published

2009/5 (May.)

0CNP4-G38200

CONTENTS

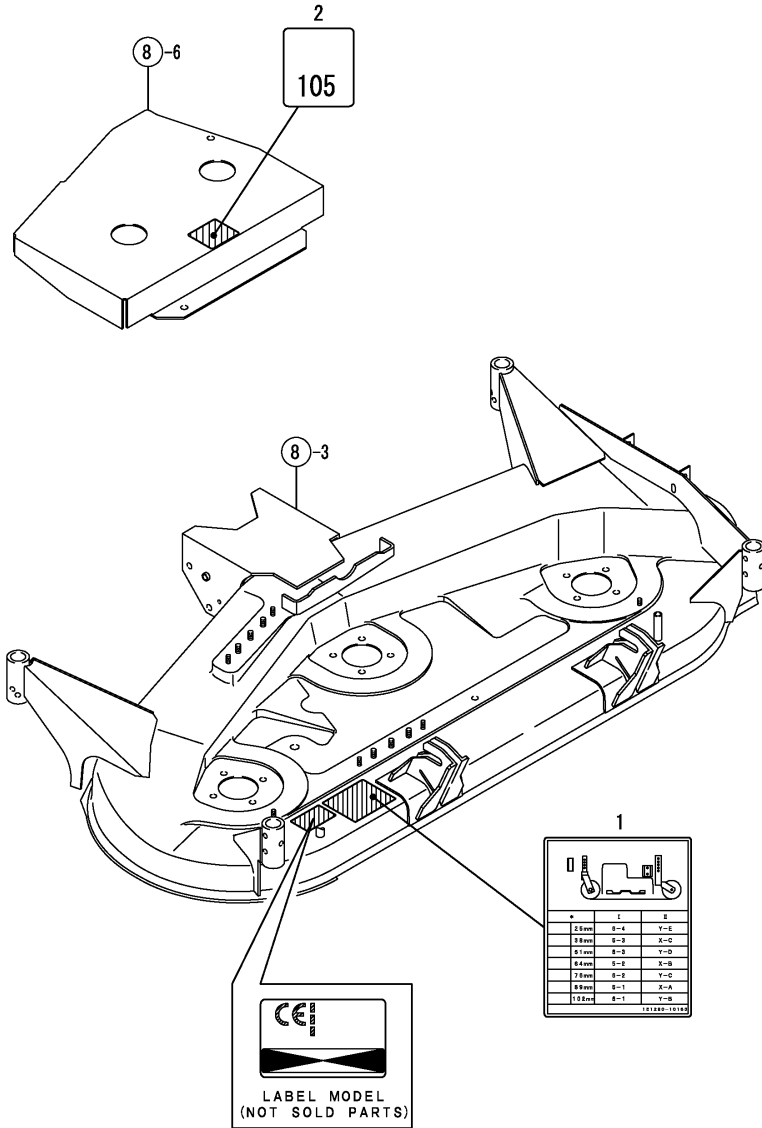
MODEL : RM60-EF200(EF200)
PC NO : 0CNP4-G38200

Fig.No. GROUP NAME
MOWER SECTION

1. LABELS
2. LABELS(SAFETY)
3. GEAR BOX
4. DRIVE SHAFT
5. DRIVE PULLEY
6. TENSION PULLEY
7. BLADE
8. DECK
9. GAUGE WHEEL
10. ROLLER
11. LINK
12. LIFTING DEVICE
13. ACCESSORIES

Fig.No. GROUP NAME

Fig.1. LABELS



0CNP4-G38200 1. LABELS

(A)=RM60-EF200
(B)=
(C)=

(D)=
(E)=
(F)=

REF.	LEV.	PARTS NO.	DESCRIPTION	QTY						I	R
				(A)	(B)	(C)	(D)	(E)	(F)		
1	1	1E1280-10150	LABEL,CUTTING HEIGHT	1							
2	1	1A7080-92210	SOUND LEVEL MARK	1							

Fig.3. GEAR BOX

(A)=RM60-EF200

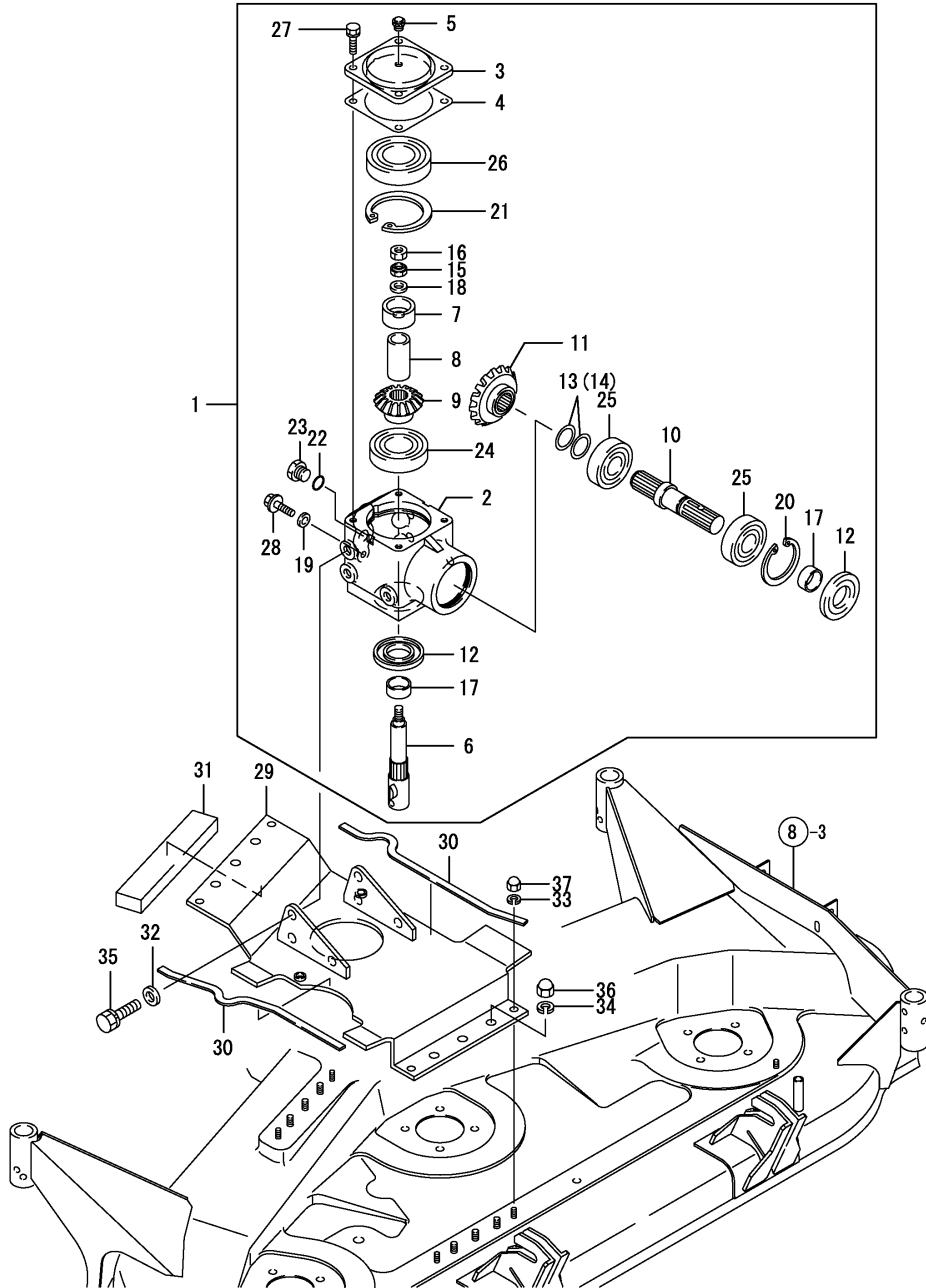
(B)=

(C)=

(D)=

(E)=

(F)=



REF.	LEV.	PARTS NO.	DESCRIPTION	QTY						I	R
				(A)	(B)	(C)	(D)	(E)	(F)		
1	1	1E1280-12100	GEARBOX ASSY.	1							
2	2	1E1280-12110	BOX GEAR	1							
3	2	1E1280-12120	COVER	1							
4	2	1E1280-12130	PACKING	1							
5	2	1E1280-12140	BREATHER	1							
6	2	1E1280-12150	SHAFT,DRIVE	1							
7	2	1E1280-12160	COLLOR A	1							
8	2	1E1280-12170	COLLOR B	1							
9	2	1E1280-12180	GEAR,BEVEL	1							
10	2	1E1280-12190	SHAFT	1							
11	2	1E1280-12220	GEAR	1							
12	2	1E1280-12240	SEAL	2							
13	2	194341-14220	SHIM T=0.1	2							
14	2	194341-14240	SHIM T=0.3	2							
15	2	198172-25610	NUT	1							
16	2	198172-25620	NUT	1							
17	2	1E6190-54080	SLEEVE SI25X30X13	2							
18	2	22137-100000	WASHER 10,POLISHED	1							
19	2	22190-080000	SEAL WASHER 8(BOLT)	1							
20	2	22252-000620	CIRCLIP 62(H)	1							
21	2	22252-000800	CIRCLIP 80	1							
22	2	23414-160000	GASKET 16, ROUND	1							
23	2	23887-160002	PLUG 16,HEX.	1							
24	2	24101-062074	BALL BEARING	1							
25	2	24101-063054	BEARING #6305	2							
26	2	24102-062084	BALL BEARING	1							
27	2	26013-080202	BOLT W/WASHER M8X20	4							
28	2	26106-080162	BOLT M 8X 16 PLATED	1							
29	1	1E1280-12250	BRACKET	1							
30	1	1E1280-15650	SEAL, 3X10X315	2							
31	1	1E8605-35570	SEAL 35X20X200	1							
32	1	22117-120000	WASHER 12	6							
33	1	22217-080000	SPRING WASHER 8	4							
34	1	22217-100000	SPRING WASHER 10	6							
35	1	26013-120252	BOLT M12X 25	6							
36	1	26657-100002	CAP NUT M10	6							
37	1	26667-080002	CAP NUT M 8	4							

Fig.4. DRIVE SHAFT

0CNP4-G38200 4. DRIVE SHAFT

(A)=RM60-EF200
(B)=
(C)=

(D)=
(E)=
(F)=

REF.	LEV.	PARTS NO.	DESCRIPTION	Q'TY						I	R
				(A)	(B)	(C)	(D)	(E)	(F)		
1	1	1E1280-12600	DRIVESHAFT ASSY.	1							
2	1	1C6281-52320	PIN 8,COME-OFF SNAP	1							
3	1	22487-080500	PIN 8X 50	1							

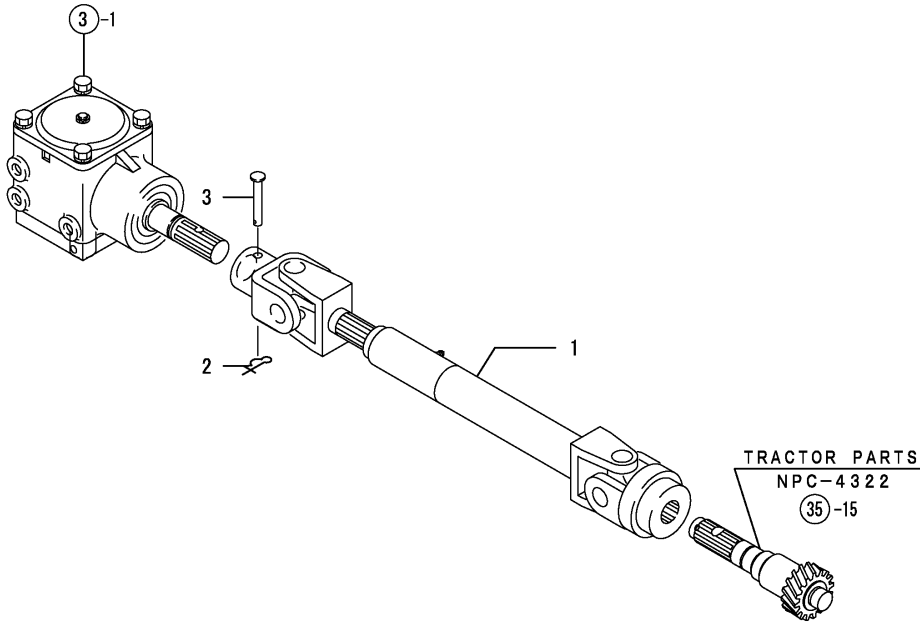


Fig.5. DRIVE PULLEY

(A)=RM60-EF200

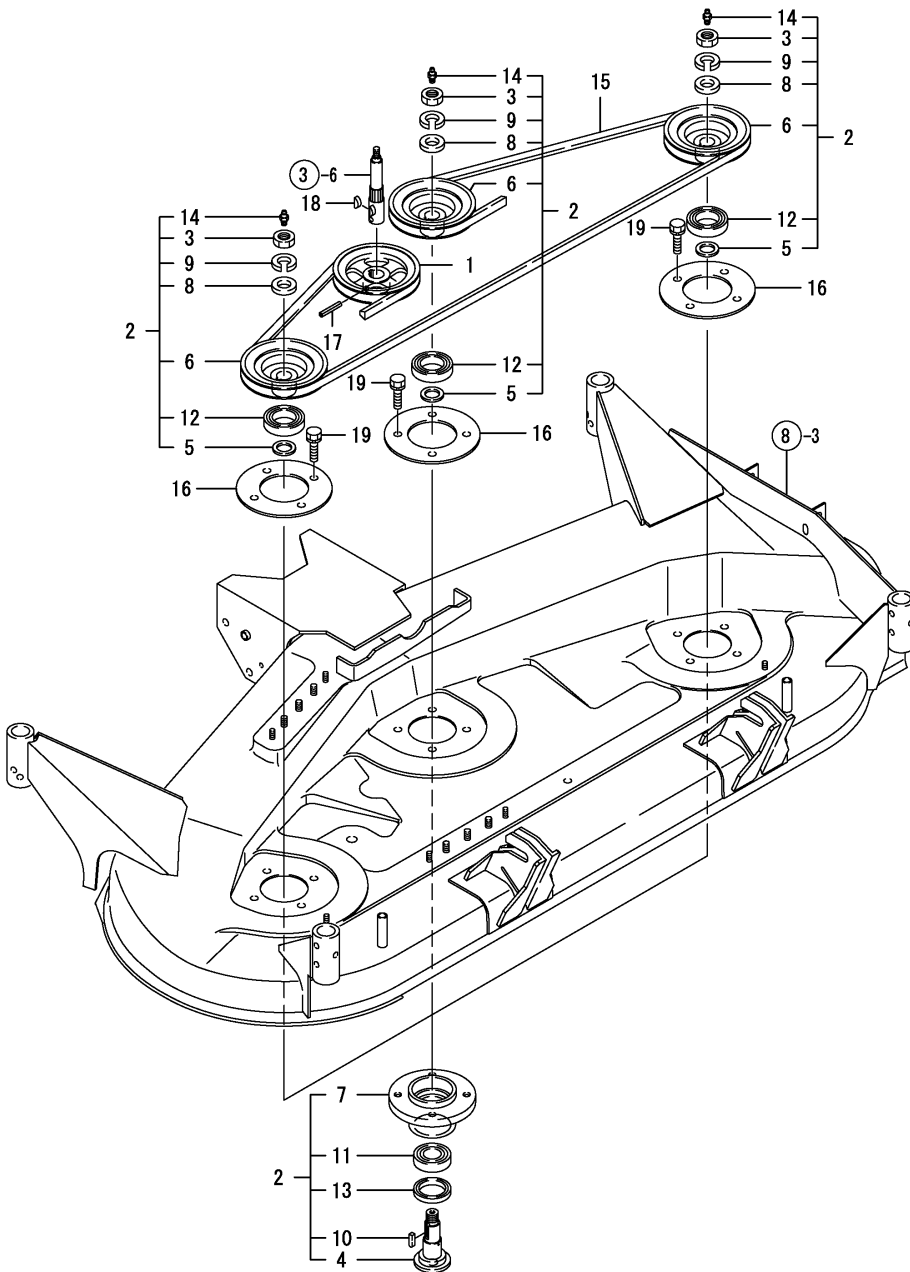
(B)=

(C)=

(D)=

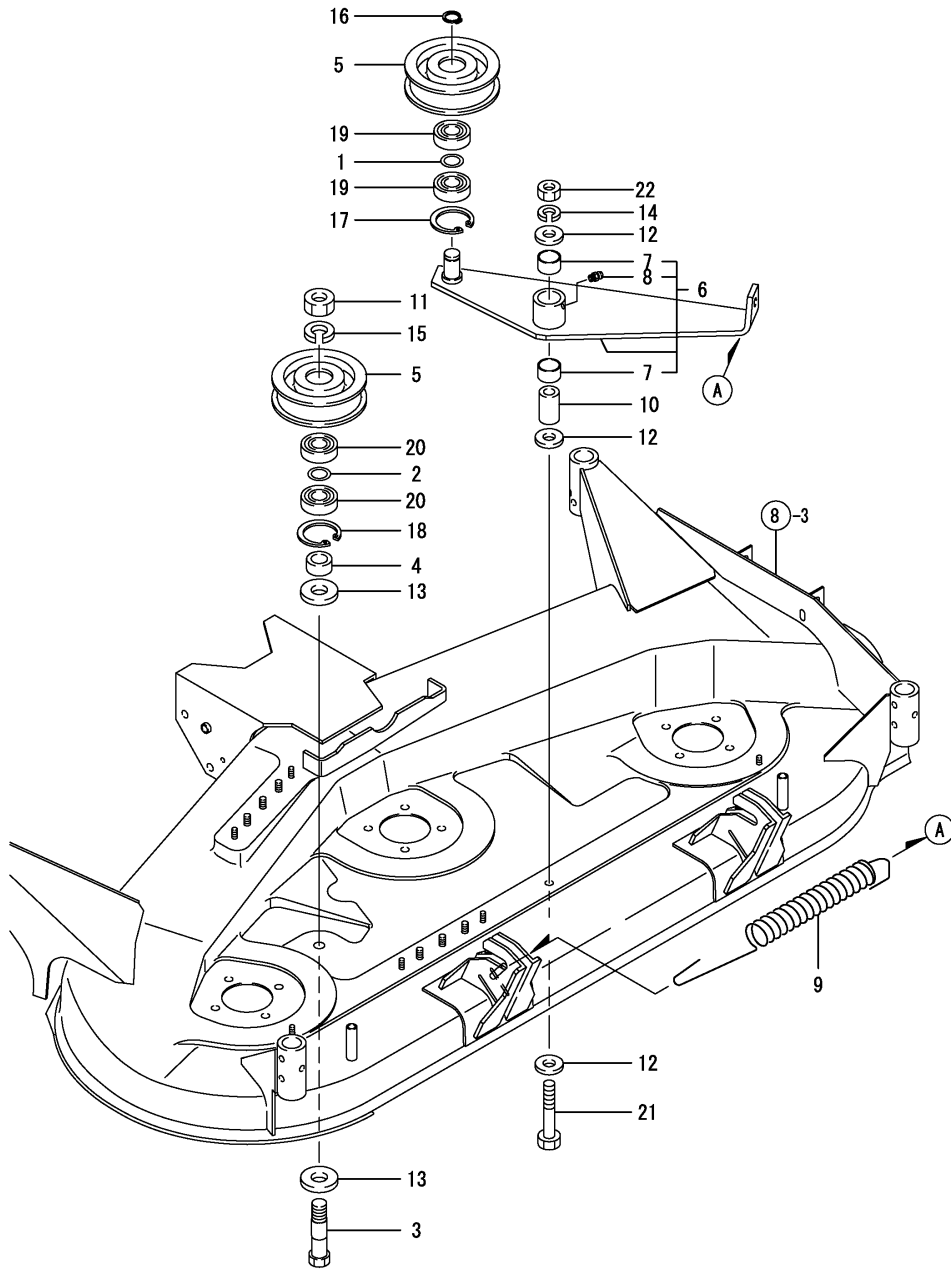
(E)=

(F)=



REF.	LEV.	PARTS NO.	DESCRIPTION	QTY						I	R
				(A)	(B)	(C)	(D)	(E)	(F)		
1	1	1E1280-12550	PULLY	1							
2	1	1E1280-13300	SPINDLE ASSY.	3							
3	2	194450-12590	NUT M20 (L)	3							
4	2	1E1280-13320	SPINDLE	3							
5	2	1E1280-13330	PIPE	3							
6	2	1E1280-13400	PULLY	3							
7	2	1E1280-13450	CASE	3							
8	2	22137-200000	WASHER 20,POLISHED	3							
9	2	22217-200000	SPRING WASHER 20	3							
10	2	22550-070251	KEY 7X25	3							
11	2	24101-062064	BALL BEARING 6206	3							
12	2	24105-060084	BALL BEARING	3							
13	2	24421-456209	SEAL TC 456209, OIL	3							
14	2	24761-020000	NIPPLE PT1/8,GREASE	3							
15	1	1E1280-13600	BELT	1							
16	1	1E1280-15570	PLATE	3							
17	1	22351-080045	SPRING PIN 8X45	1							
18	1	22522-070220	WOODRUFF KEY 7X22	1							
19	1	26043-120302	BOLT M12X30	12							

Fig.6. TENSION PULLEY



OCNP4-G38200 6. TENSION PULLEY

(A)=RM60-EF200

(B)=

(C)=

(D)=

(E)=

(F)=

REF.	LEV.	PARTS NO.	DESCRIPTION	QTY						I	R
				(A)	(B)	(C)	(D)	(E)	(F)		
1	1	1E1280-12210	SHIM,25X17X0.15	1							
2	1	1E1280-12210	SHIM,25X17X0.15	1							
3	1	1E1280-13340	BOLT	1							
4	1	1E1280-13350	PIPE	1							
5	1	1E1280-13500	PULLY	2							
6	1	1E1280-13710	ARM ASSY, TENSION	1							
7	2	24550-022150	BUSH 22X15	2							
8	2	24761-060000	NIPPLE MT6X1, GREASE	1							
9	1	1E1280-13750	SPRING, TENSION	1							
10	1	1E1280-13760	PIPE	1							
11	1	194971-16140	NUT M16,LEFT HAND	1							
12	1	22157-120000	WASHER 12	3							
13	1	22157-160000	WASHER 16	2							
14	1	22217-120000	SPRING WASHER 12	1							
15	1	22217-160000	SPRING WASHER 16	1							
16	1	22242-000170	CIRCLIP 17	1							
17	1	22252-000400	CIRCLIP 40(H)	1							
18	1	22252-000400	CIRCLIP 40(H)	1							
19	1	24104-062034	BALL BEARING	2							
20	1	24104-062034	BALL BEARING	2							
21	1	26116-120702	BOLT M12X 70 PLATED	1							
22	1	26716-120002	NUT 12	1							

Fig.8. DECK

(A)=RM60-EF200

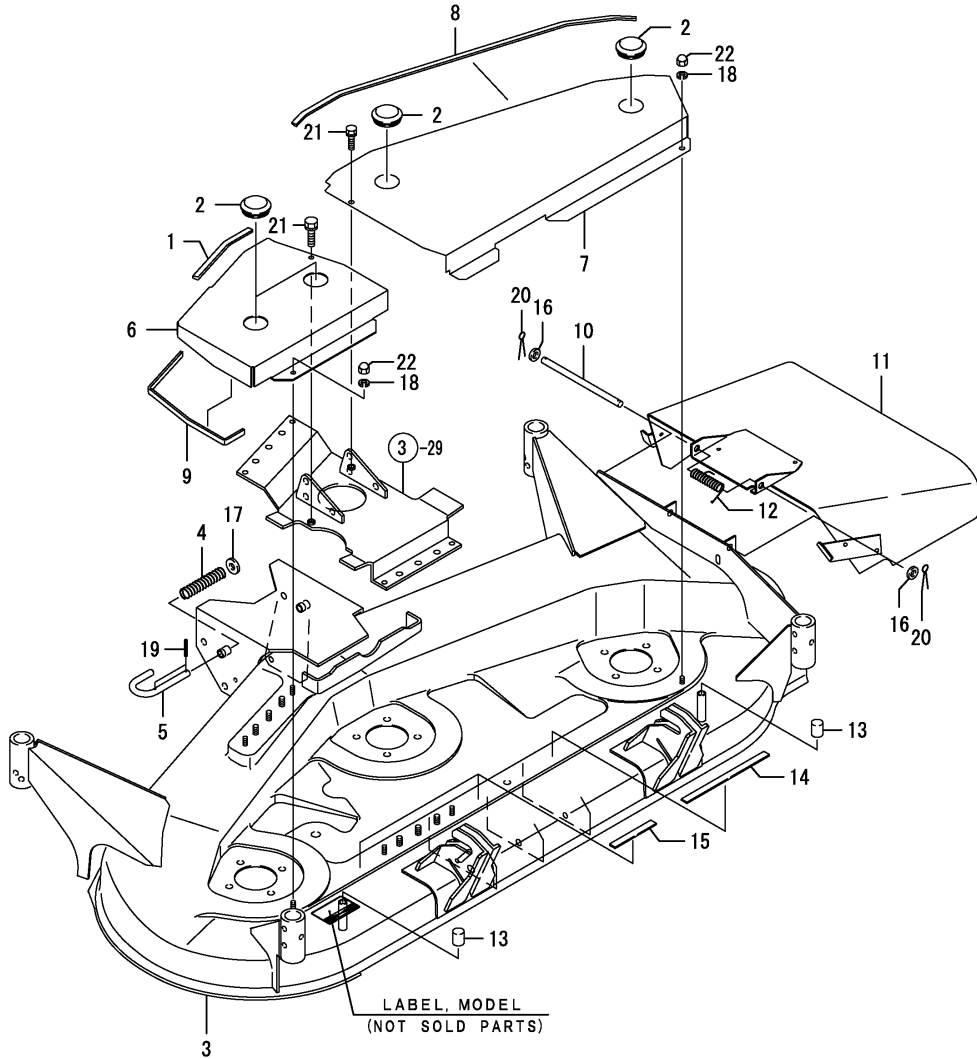
(B)=

(C)=

(D)=

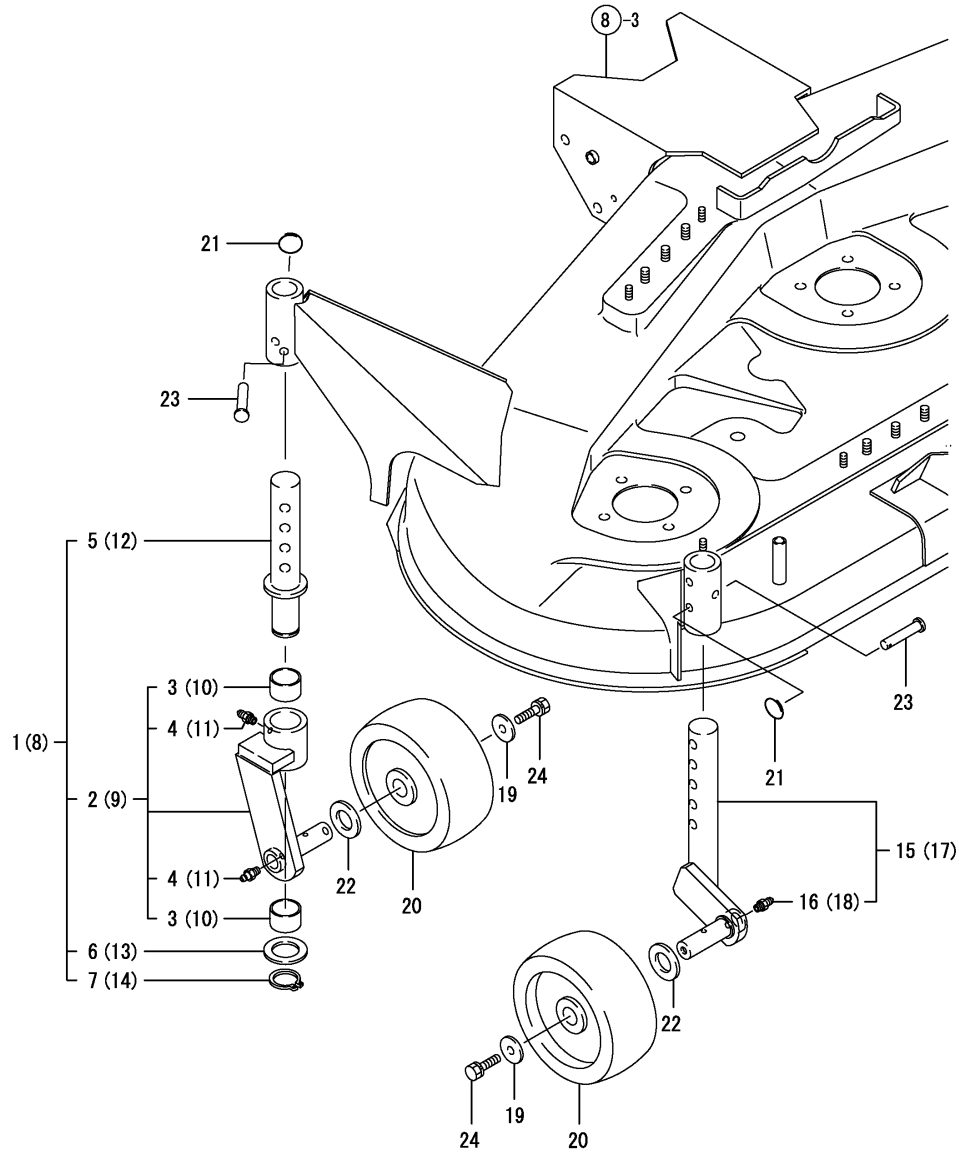
(E)=

(F)=



REF.	LEV.	PARTS NO.	DESCRIPTION	QTY						I	R
				(A)	(B)	(C)	(D)	(E)	(F)		
1	1	1E8270-04090	MOLDINGS 188	1							
2	1	195160-13870	CAP, ROTARY CASE	4							
3	1	1E1280-15020	DECK M ASSY, MOWER	1							
4	1	1E1280-15380	SPRING	2							
5	1	1E1280-15390	PIN	2							
6	1	1E1280-15600	COVER M ASSY, L.H.	1							
7	1	1E1280-15620	COVER, R	1							
8	1	1E1280-15640	RUBBER	1							
9	1	1E1280-15670	MOOL	1							
10	1	1E1280-15840	PIN	1							
11	1	1E1280-15850	DEFLECTOR ASSY.	1							
12	1	1A6150-61980	SPRING 3.0X 18X 71	1							
13	1	1S0070-63100	CAP,P.T.O.RUBBER	2							
14	1	1E8560-75680	SEAL,3X15X220	1							
15	1	1E8645-75950	SEAL,3X15X110	2							
16	1	22117-120000	WASHER 12	2							
17	1	22157-120000	WASHER 12	2							
18	1	22217-080000	SPRING WASHER 8	2							
19	1	22351-030025	SPRING PIN 3X25	4							
20	1	22417-250250	COTTER PIN 2.5X25	2							
21	1	26013-080162	BOLT W/WASHER M8X16	2							
22	1	26657-080002	CAP NUT M 8	2							

Fig.9. GAUGE WHEEL



OCNP4-G38200 9. GAUGE WHEEL

(A)=RM60-EF200

(B)=

(C)=

(D)=

(E)=

(F)=

REF.	LEV.	PARTS NO.	DESCRIPTION	Q'TY						I	R
				(A)	(B)	(C)	(D)	(E)	(F)		
1	1	1E1280-16200	SHAFT	1							
2	2	1E1280-16210	BOSS	1							
3	3	24550-028200	BUSH 28X20	2							
4	3	24761-060000	NIPPLE MT6X1, GREASE	2							
5	2	1E1280-16240	PIN	1							
6	2	1E1280-16250	COLLAR	1							
7	2	22242-000280	CIRCLIP 28	1							
8	1	1E1280-16220	SHAFT	1							
9	2	1E1280-16230	BOSS	1							
10	3	24550-028200	BUSH 28X20	2							
11	3	24761-060000	NIPPLE MT6X1, GREASE	2							
12	2	1E1280-16240	PIN	1							
13	2	1E1280-16250	COLLAR	1							
14	2	22242-000280	CIRCLIP 28	1							
15	1	1E1280-16300	SHAFT	1							
16	2	24761-060000	NIPPLE MT6X1, GREASE	1							
17	1	1E1280-16350	SHAFT	1							
18	2	24761-060000	NIPPLE MT6X1, GREASE	1							
19	1	1E4070-46290	WASHER 9X30X3.2	4							
20	1	1A6150-66011	WHEEL ASSY.,GAUGE	4							
21	1	1E4010-76220	LOCK SPRING	4							
22	1	22137-200000	WASHER 20,POLISHED	4							
23	1	22487-100500	PIN 10X 50	4							
24	1	26013-080202	BOLT W/WASHER M8X20	4							

Fig.10. ROLLER

(A)=RM60-EF200

(B)=

(C)=

(D)=

(E)=

(F)=

REF.	LEV.	PARTS NO.	DESCRIPTION	Q'TY						I	R
				(A)	(B)	(C)	(D)	(E)	(F)		
1	1	1E1280-16410	SHAFT	1							
2	1	1E1280-16440	SHAFT	1							
3	1	1E1280-16450	ROLLAR	3							
4	1	22217-100000	SPRING WASHER 10	1							
5	1	22217-100000	SPRING WASHER 10	1							
6	1	26716-100002	NUT 10	1							
7	1	26716-100002	NUT 10	1							

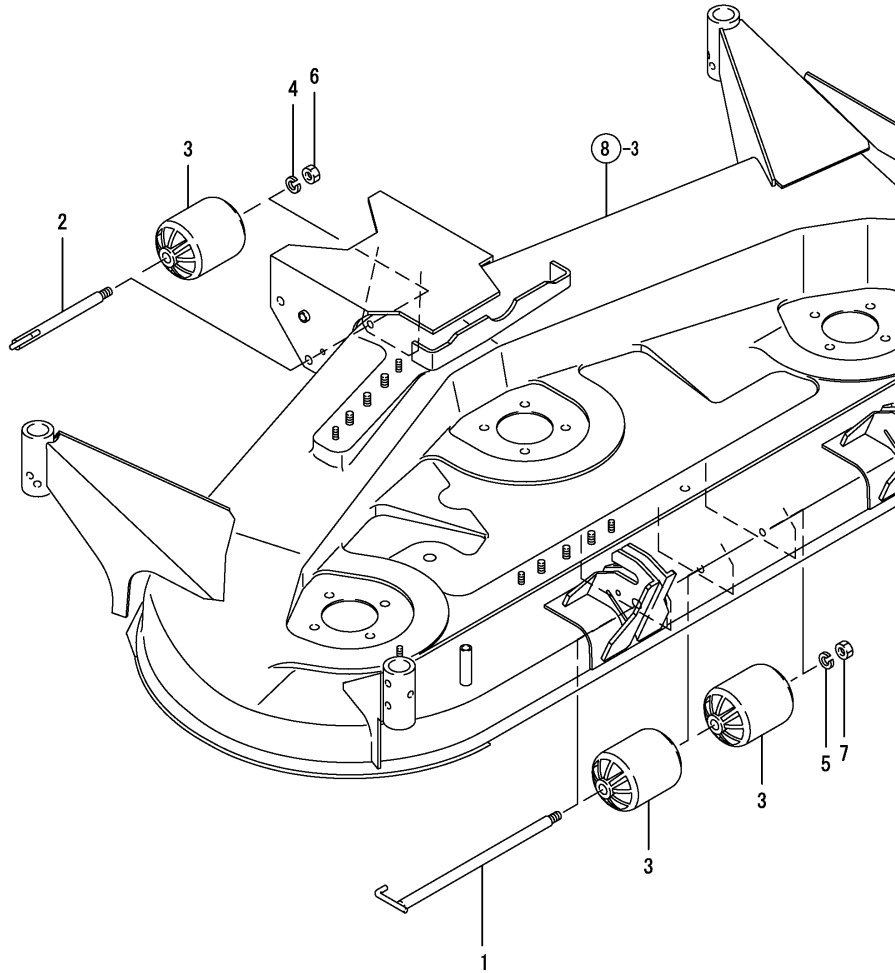
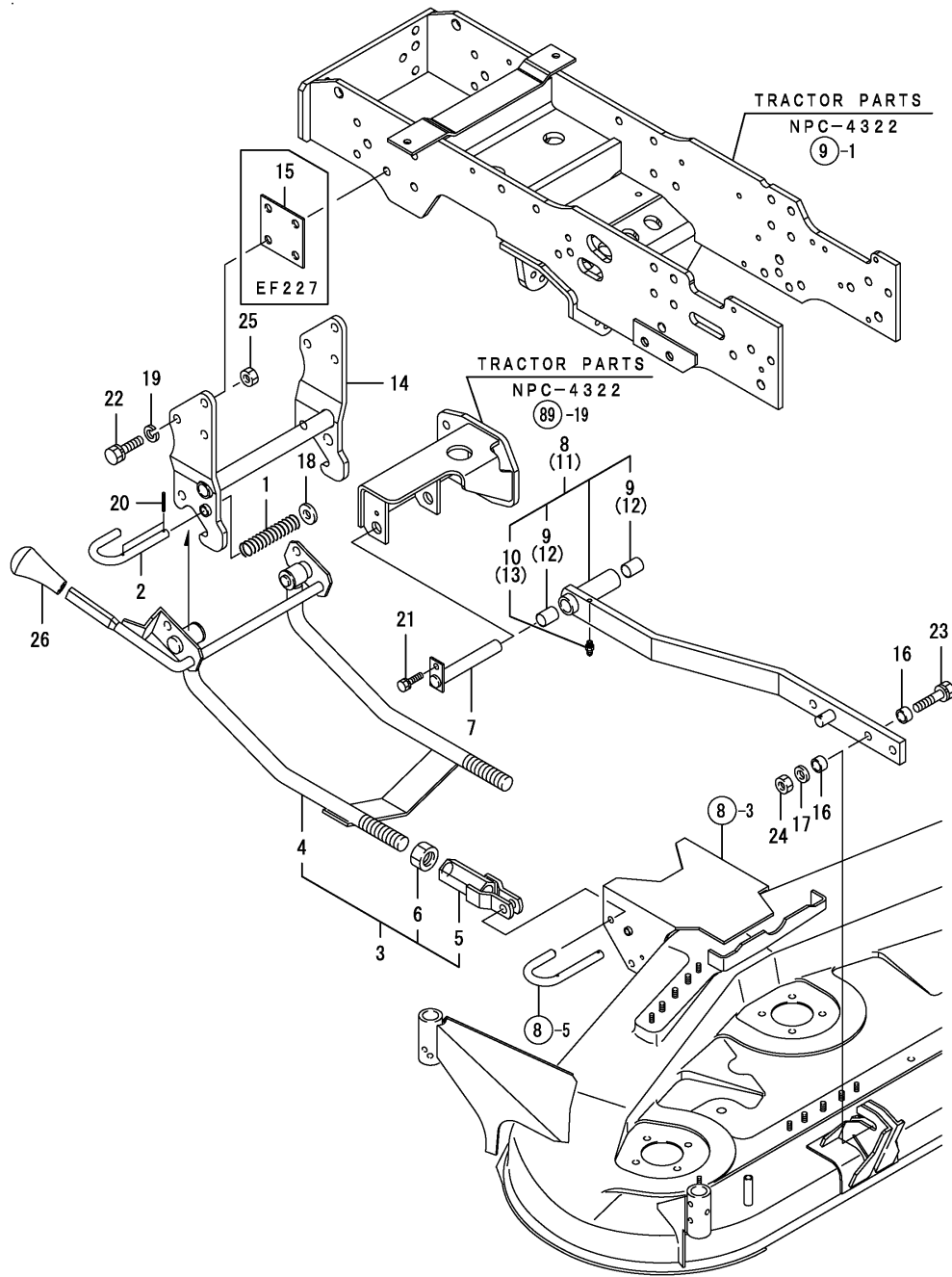


Fig.11. LINK



(A)=RM60-EF200

(B)=

(C)=

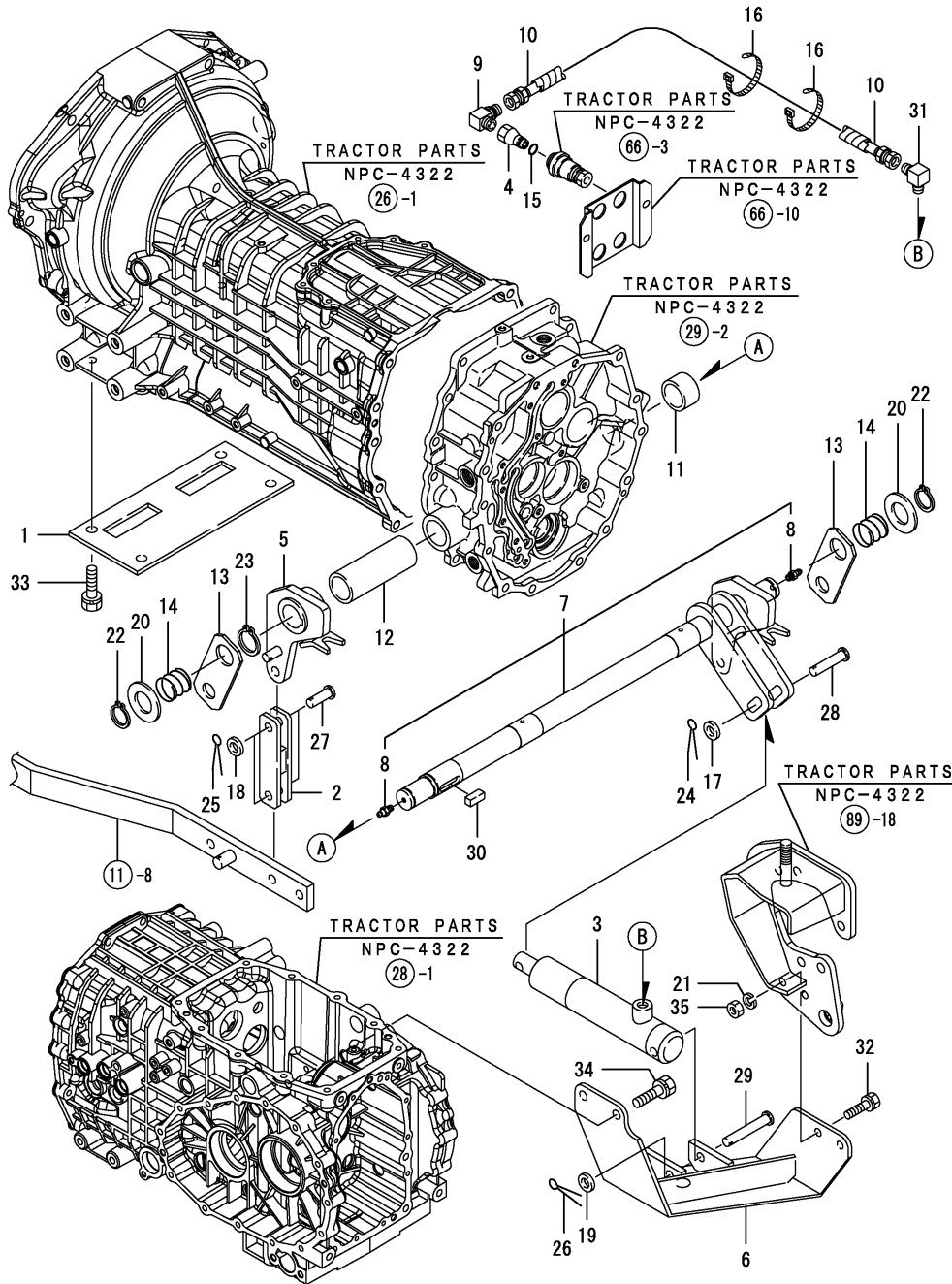
(D)=

(E)=

(F)=

REF.	LEV.	PARTS NO.	DESCRIPTION	QTY						I	R
				(A)	(B)	(C)	(D)	(E)	(F)		
1	1	1E1280-15380	SPRING	1							
2	1	1E1280-15390	PIN	1							
3	1	1E1280-17020	LINK	1							
4	2	1E1280-17010	LINK	1							
5	2	1E1280-17050	ROD	2							
6	2	26777-220002	LOCK NUT M22	2							
7	1	1E1280-17140	PIN	2							
8	1	1E1280-17240	LINK	1							
9	2	24550-018250	BUSH 18X25	2							
10	2	24761-060000	NIPPLE MT6X1, GREASE	1							
11	1	1E1280-17250	LINK	1							
12	2	24550-018250	BUSH 18X25	2							
13	2	24761-060000	NIPPLE MT6X1, GREASE	1							
14	1	1E1280-17300	BRACKET	1							
15	1	1E1280-17340	PLATE	2							
16	1	1E1280-17700	COLLAR	4							
17	1	22117-120000	WASHER 12	2							
18	1	22157-120000	WASHER 12	1							
19	1	22217-120000	SPRING WASHER 12	6							
20	1	22351-030025	SPRING PIN 3X25	2							
21	1	26013-080162	BOLT W/WASHER M8X16	2							
22	1	26013-120352	BOLT M12X 35	6							
23	1	26013-120502	BOLT M12X 50	2							
24	1	26716-120002	NUT 12	2							
25	1	26716-120002	NUT 12	6							
26	1	1C6560-47000	GRIP,CHANGE LEVER	1							

Fig.12. LIFTING DEVICE



(A)=RM60-EF200

(B)=

(C)=

(D)=

(E)=

(F)=

REF.	LEV.	PARTS NO.	DESCRIPTION	QTY						I	R
				(A)	(B)	(C)	(D)	(E)	(F)		
1	1	1E1280-15930	PLATE	1							
2	1	1E1280-18350	ROD	2							
3	1	1E1280-18400	CYLINDER ASSY.	1							
4	1	1E1280-18480	COUPLER, QUICK	1							
5	1	1E1280-18500	ARM	1							
6	1	1E1280-18550	BRACKET	1							
7	1	1E1280-18600	SHAFT	1							
8	2	24761-060000	NIPPLE MT6X1, GREASE	2							
9	1	1E1280-18680	JOINT	1							
10	1	1E1280-18690	HOSE	1							
11	1	1E1280-18700	PIPE	1							
12	1	1E1280-18710	PIPE	1							
13	1	1E1280-18720	PLATE	2							
14	1	1E1280-18740	SPRING	2							
I	15	194850-49290	PACKING 6-1	1							Z
(A)=FXXXXXX											
16	1	194250-51660	BAND 250	2							
17	1	22137-120000	WASHER 12,POLISHED	1							
18	1	22137-120000	WASHER 12,POLISHED	4							
19	1	22137-120000	WASHER 12,POLISHED	1							
20	1	22137-270000	WASHER 27	2							
21	1	22217-100000	SPRING WASHER 10	2							
22	1	22242-000280	CIRCLIP 28	2							
23	1	22242-000320	CIRCLIP 32	1							
24	1	22417-250250	COTTER PIN 2.5X25	1							
25	1	22417-250250	COTTER PIN 2.5X25	4							
26	1	22417-250250	COTTER PIN 2.5X25	1							
27	1	22487-120300	PIN 12X 30	4							
28	1	22487-120500	PIN 12X 50	1							
29	1	22487-120700	PIN 12X 70	1							
30	1	22550-100250	KEY, 10 X 25	1							
31	1	23393-020000	JOINT 90RG1/4	1							
32	1	26013-100302	BOLT M10X 30	2							
33	1	26013-120252	BOLT M12X 25	4							
34	1	26013-120352	BOLT M12X 35	2							
35	1	26716-100002	NUT 10	2							

Part Number Index

All parts are stipulated in the order of part numbers.

(Depending on the area in which the part is used.)

This index will display the location of the part according to each part number.

PARTS No. INDEX

PARTS No.	Fig.	Ref.No.
194250-51660	12	16
194341-14220	3	13
194341-14240	3	14
194450-12590	5	3
194850-49290	12	15
194971-16140	6	11
195160-13870	8	2
198172-25610	3	15
198172-25620	3	16
1A6150-61980	8	12
1A6150-66011	9	20
1A6150-92111	2	1
1A7080-92160	2	2
1A7080-92210	1	2
1C6281-52320	4	2
1C6560-47000	11	26
1E1280-10150	1	1
1E1280-12100	3	1
1E1280-12110	3	2
1E1280-12120	3	3
1E1280-12130	3	4
1E1280-12140	3	5
1E1280-12150	3	6
1E1280-12160	3	7
1E1280-12170	3	8
1E1280-12180	3	9
1E1280-12190	3	10
1E1280-12210	6	1
1E1280-12220	3	11
1E1280-12240	3	12
1E1280-12250	3	29
1E1280-12550	5	1
1E1280-12600	4	1
1E1280-13300	5	2
1E1280-13320	5	4
1E1280-13330	5	5
1E1280-13340	6	3
1E1280-13350	6	4
1E1280-13400	5	6
1E1280-13450	5	7
1E1280-13500	6	5
1E1280-13600	5	15
1E1280-13710	6	6
1E1280-13750	6	9
1E1280-13760	6	10
1E1280-14110	7	1
1E1280-14120	7	2
1E1280-14150	7	3
1E1280-15020	8	3

PARTS No.	Fig.	Ref.No.
1E1280-15380	8	4
	11	1
1E1280-15390	8	5
	11	2
1E1280-15570	5	16
1E1280-15600	8	6
1E1280-15620	8	7
1E1280-15640	8	8
1E1280-15650	3	30
1E1280-15670	8	9
1E1280-15840	8	10
1E1280-15850	8	11
1E1280-15930	12	1
1E1280-16200	9	1
1E1280-16210	9	2
1E1280-16220	9	8
1E1280-16230	9	9
1E1280-16240	9	5
		12
1E1280-16250	9	6
		13
1E1280-16300	9	15
1E1280-16350	9	17
1E1280-16410	10	1
1E1280-16440	10	2
1E1280-16450	10	3
1E1280-17010	11	4
1E1280-17020	11	3
1E1280-17050	11	5
1E1280-17140	11	7
1E1280-17240	11	8
1E1280-17250	11	11
1E1280-17300	11	14
1E1280-17340	11	15
1E1280-17700	11	16
1E1280-18350	12	2
1E1280-18400	12	3
1E1280-18480	12	4
1E1280-18500	12	5
1E1280-18550	12	6
1E1280-18600	12	7
1E1280-18680	12	9
1E1280-18690	12	10
1E1280-18700	12	11
1E1280-18710	12	12
1E1280-18720	12	13
1E1280-18740	12	14
1E4010-76220	9	21
1E4070-46290	9	19
1E6190-54080	3	17

PARTS No.	Fig.	Ref.No.
1E8270-04090	8	1
1E8560-75680	8	14
1E8605-35570	3	31
1E8645-75950	8	15
1S0070-63100	8	13
41812-012000	13	1

PARTS No.	Fig.	Ref.No.
-----------	------	---------



YANMAR CO., LTD.